

8

7

6

5

4

3

2

1

D

D

C

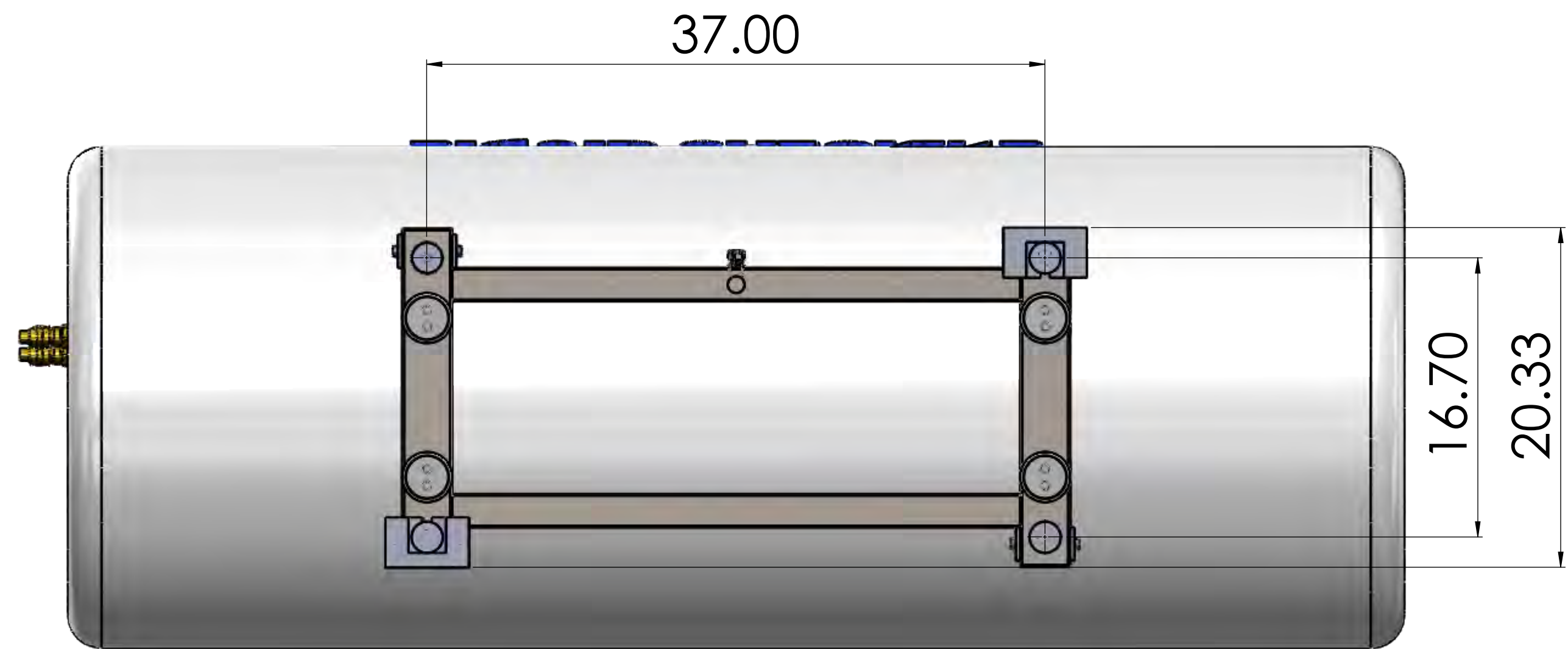
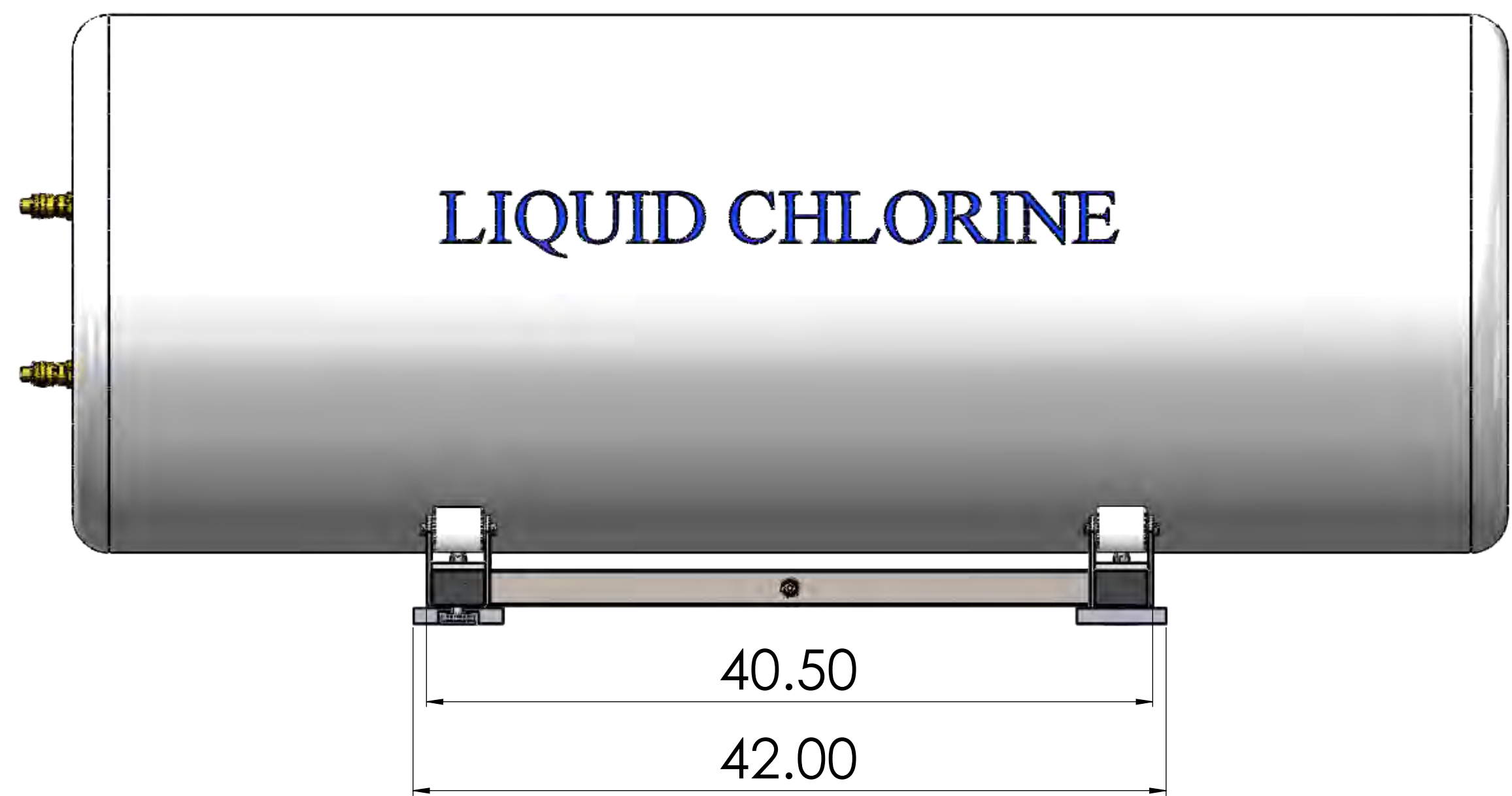
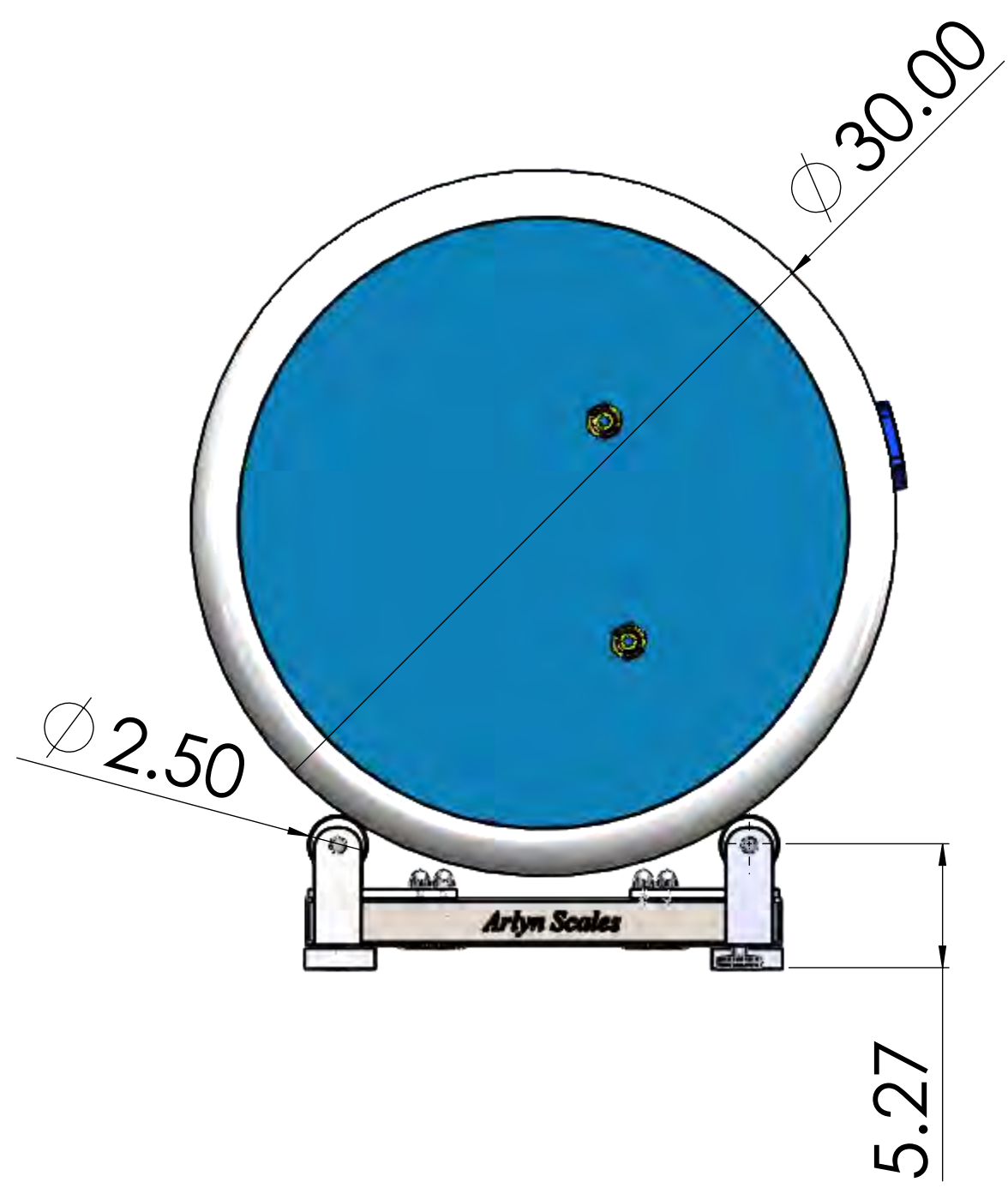
C

B

B

A

A



PROPRIETARY AND CONFIDENTIAL
 THE INFORMATION CONTAINED IN THIS
 DRAWING IS THE SOLE PROPERTY OF
 CUSTOM HEATERS & RESEARCH. ANY
 REPRODUCTION IN PART OR AS A WHOLE
 WITHOUT THE WRITTEN PERMISSION OF
 CUSTOM HEATERS & RESEARCH IS
 PROHIBITED.

UNLESS OTHERWISE SPECIFIED:		NAME	DATE
DIMENSIONS ARE IN INCHES			
TOLERANCES:			
FRACTIONAL ±			
ANGULAR ± MACH ± BEND ±			
TWO PLACE DECIMAL ±			
THREE PLACE DECIMAL ±			
INTERPRET GEOMETRIC TOLERANCING PER:			
MATERIAL			
FINISH			
APPLICATION	DO NOT SCALE DRAWING		

DRAWN			
CHECKED			
ENG APPR.			
MFG APPR.			
Q.A.			
COMMENTS:			

SIZE	DWG. NO.	REV
D		
SCALE: 1:10	WEIGHT:	SHEET 1 OF 1

CHR CUSTOM HEATERS & RESEARCH

TONNER TANK

6

5

4

3

2

1