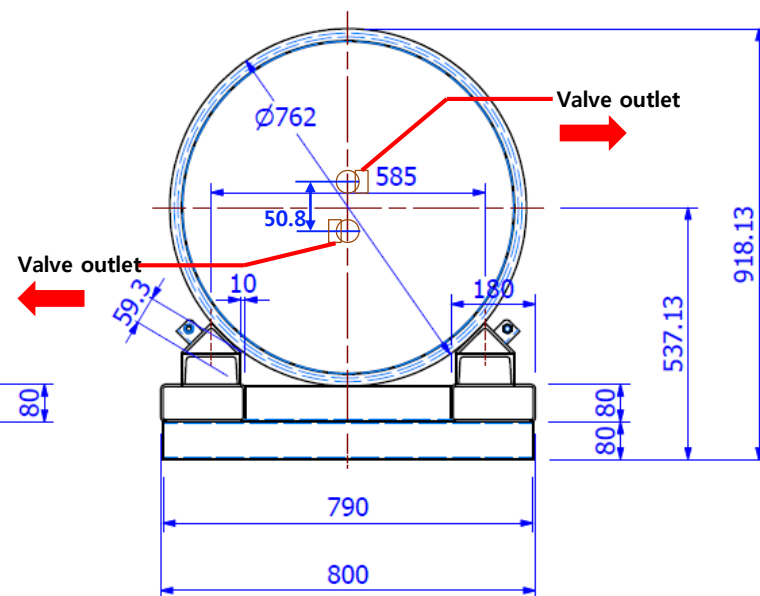
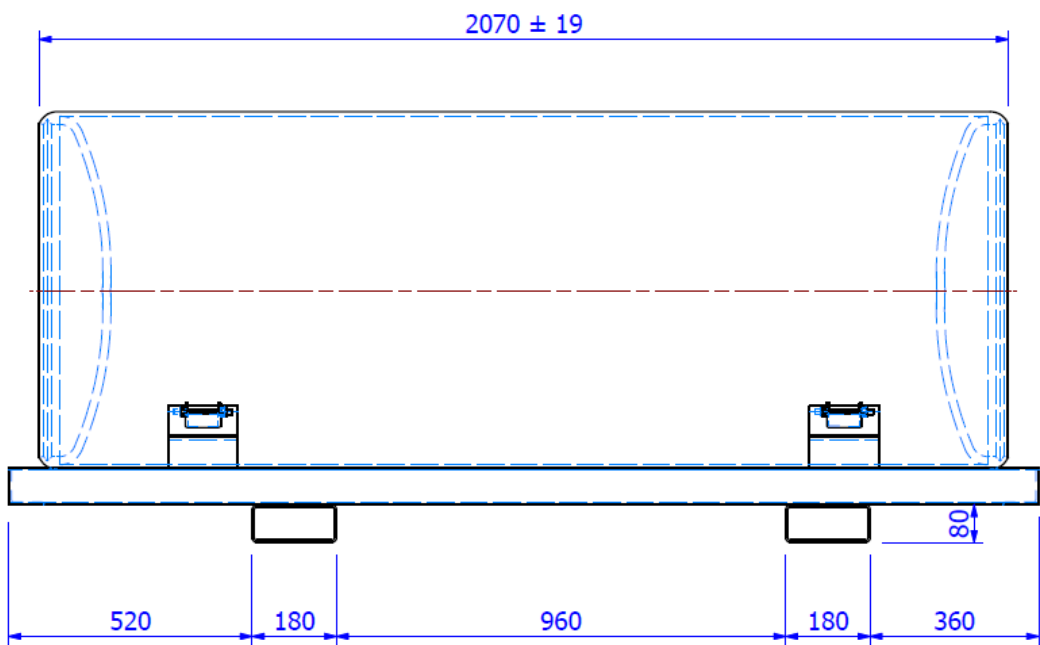
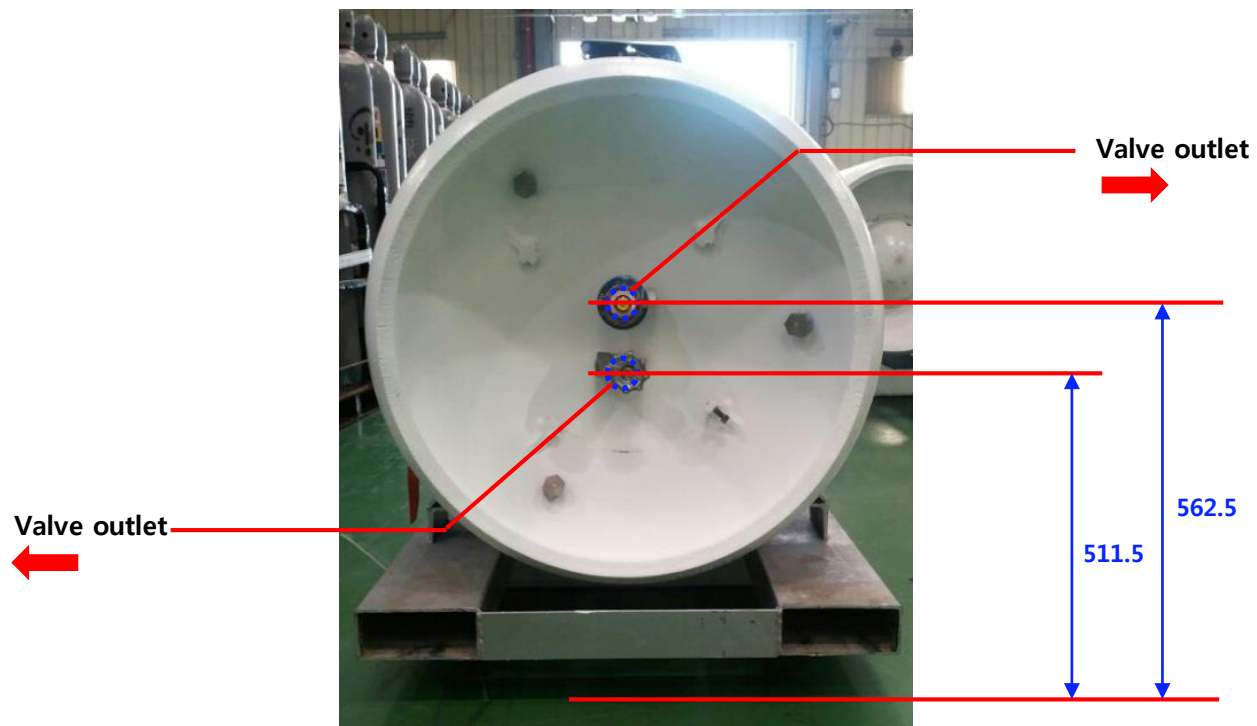


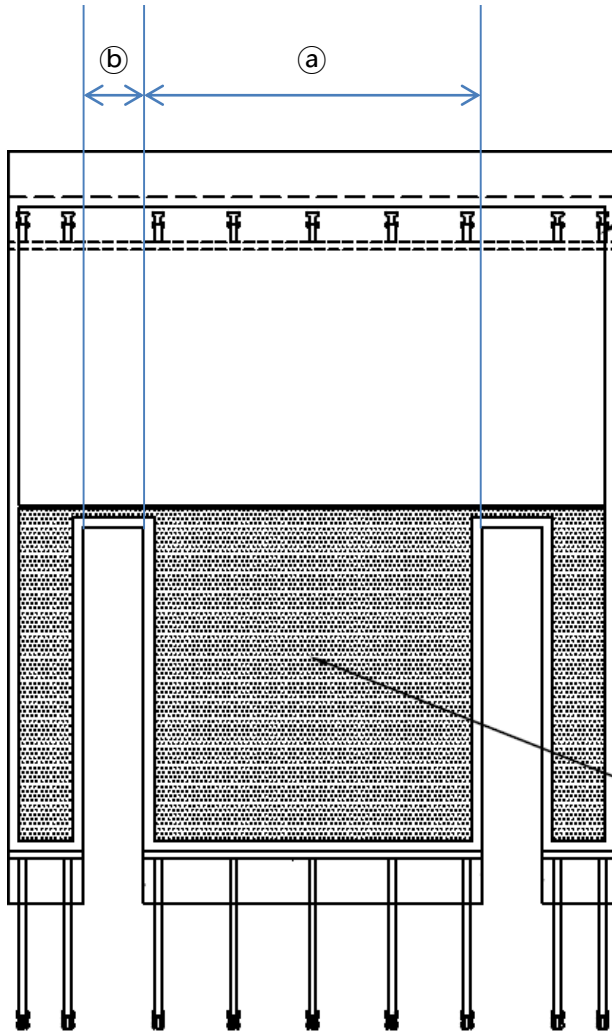
Typical Tonner Gas Cylinder Dimensions



Tonner Gas Cylinder on skid



Typical Heating Jacket Layout – Tonner Gas Cylinder



- ①: 1200mm max, 1180mm recommended
- ②: 160mm min, 180mm recommended